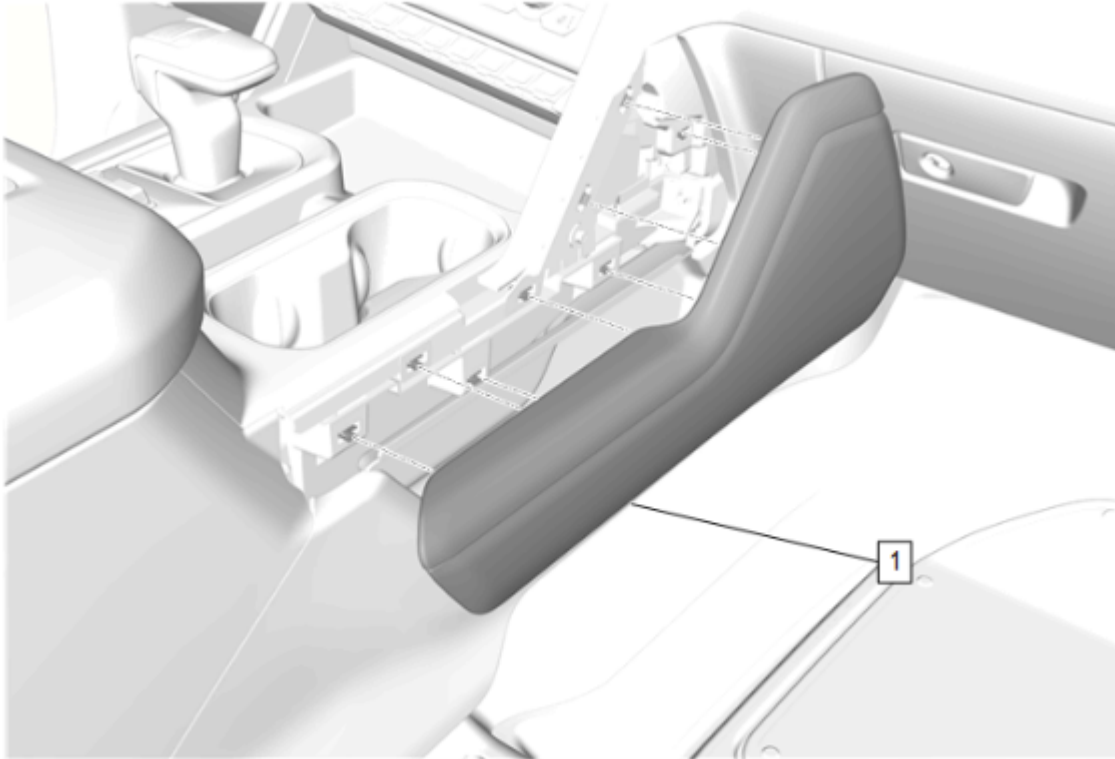
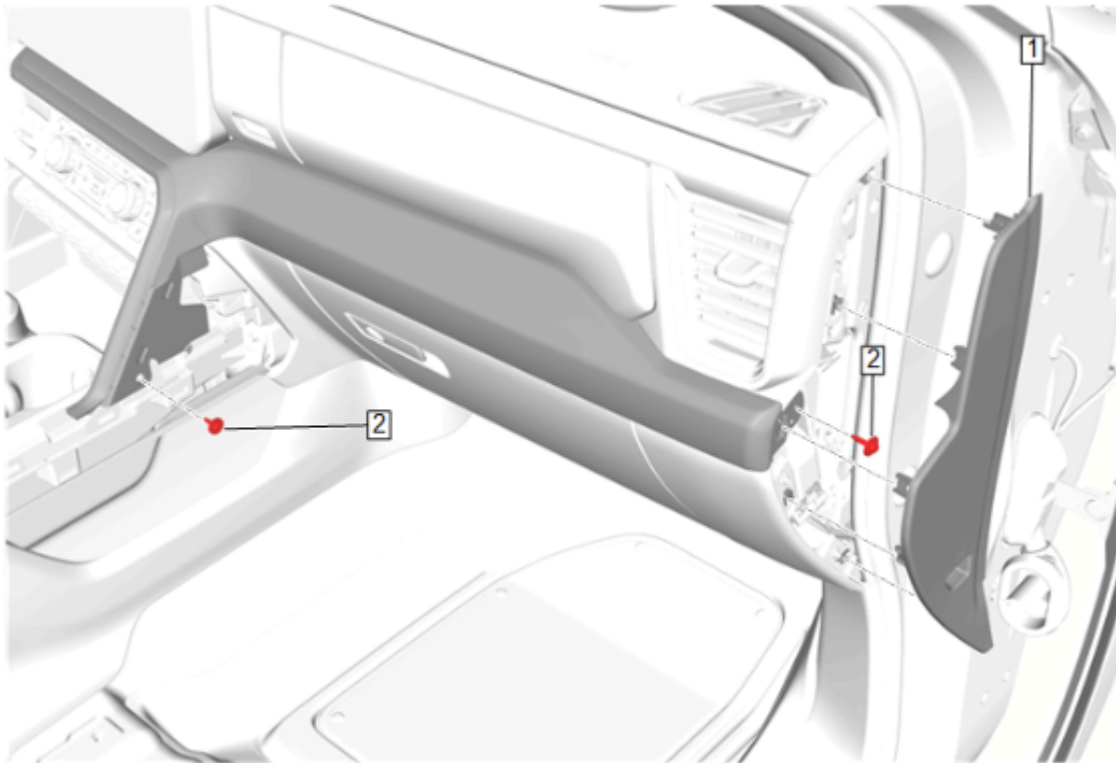


Instrument Panel Center Accessory Function Switch Replacement (AT4, AT4X, Denali, Denali Ultimate)

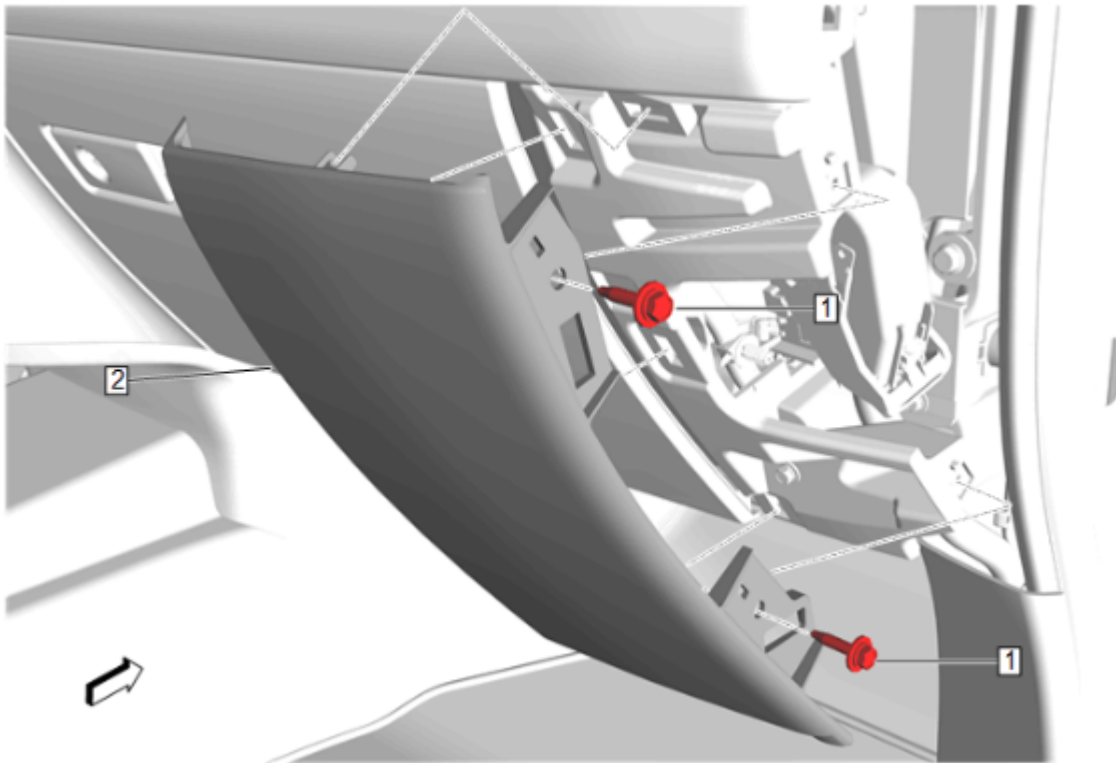
Removal Procedure



1. Using a flat-bladed plastic trim tool, release the retaining clips.
2. Front Floor Console Lower Applique - Right Side (1) » Remove



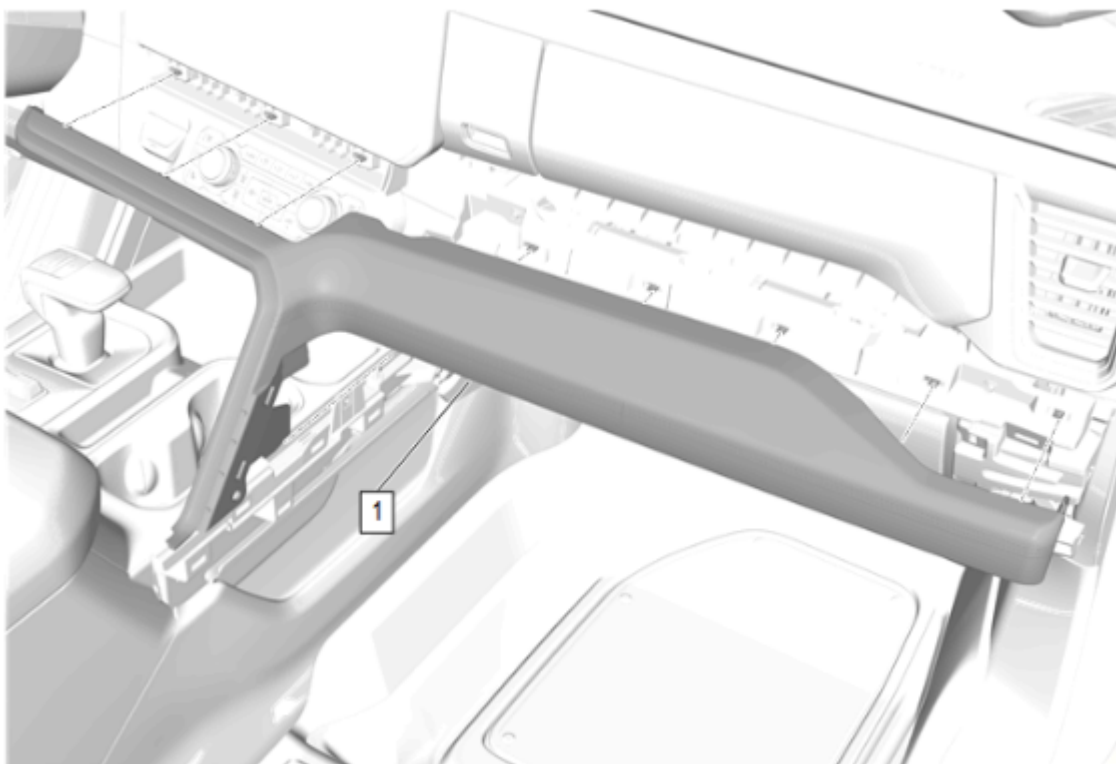
3. Using a flat-bladed plastic trim tool, release the retaining clips.
4. Instrument Panel Fuse Block Access Hole Cover (1) » Remove
5. Instrument Panel Trim Pad Bolt (2) » Remove [2x]



6. Instrument Panel Lower Trim Panel Outer Filler Bolt (1) » Remove [2x]

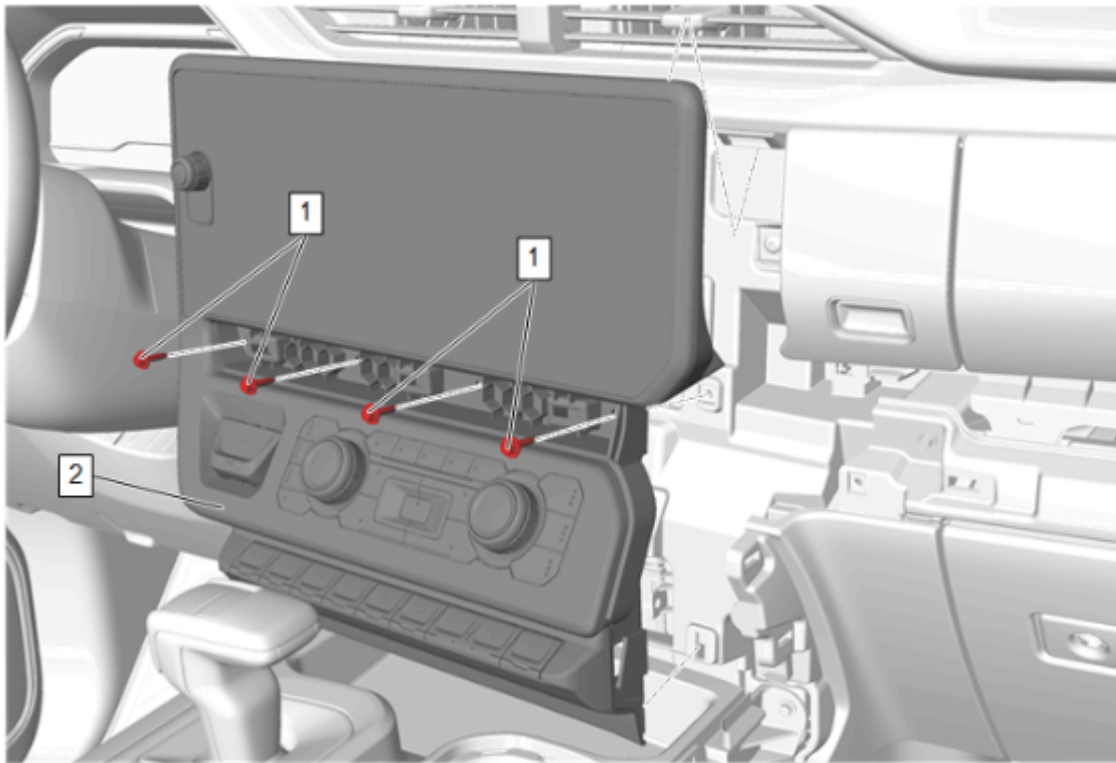
Note: Use a plastic trim tool if necessary.

7. Instrument Panel Lower Trim Panel Outer Filler (2) » Remove



8. Using a flat-bladed plastic trim tool, release the retaining clips.

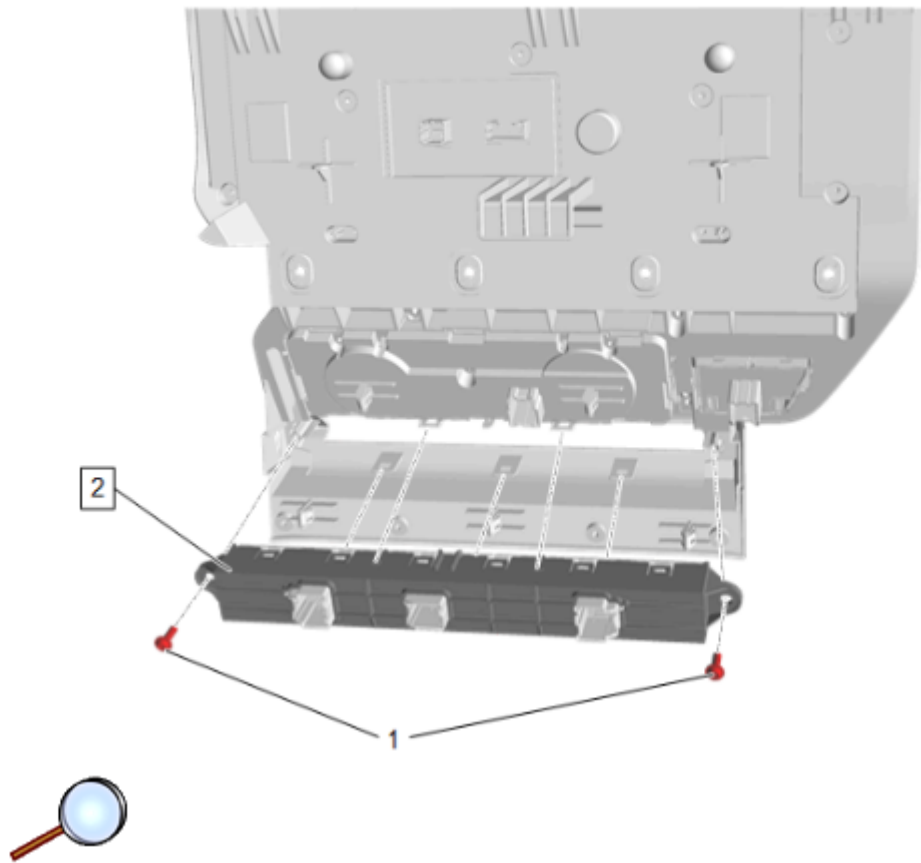
9. Instrument Panel Trim Pad - Right Side (1) » Remove



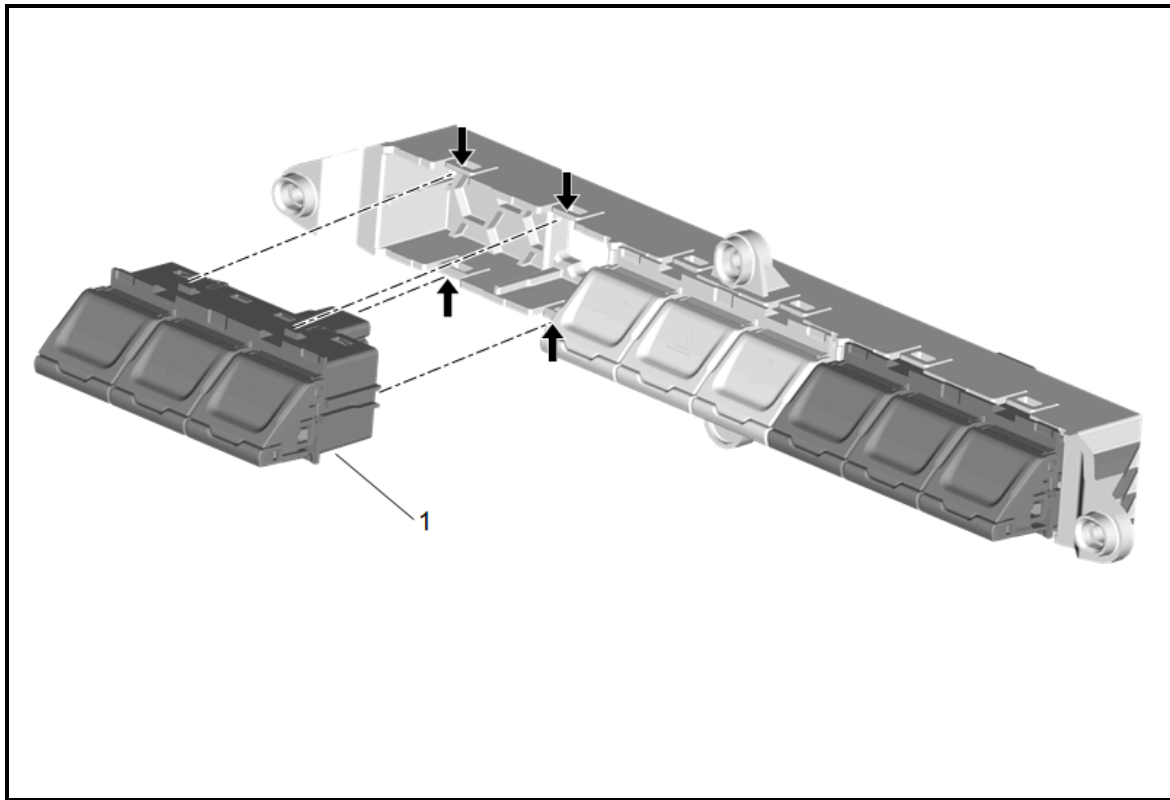
10. Radio Control Bolt (1) » Remove [4x]

11. Radio Control (2) » Remove

12. Disconnect the electrical connectors.



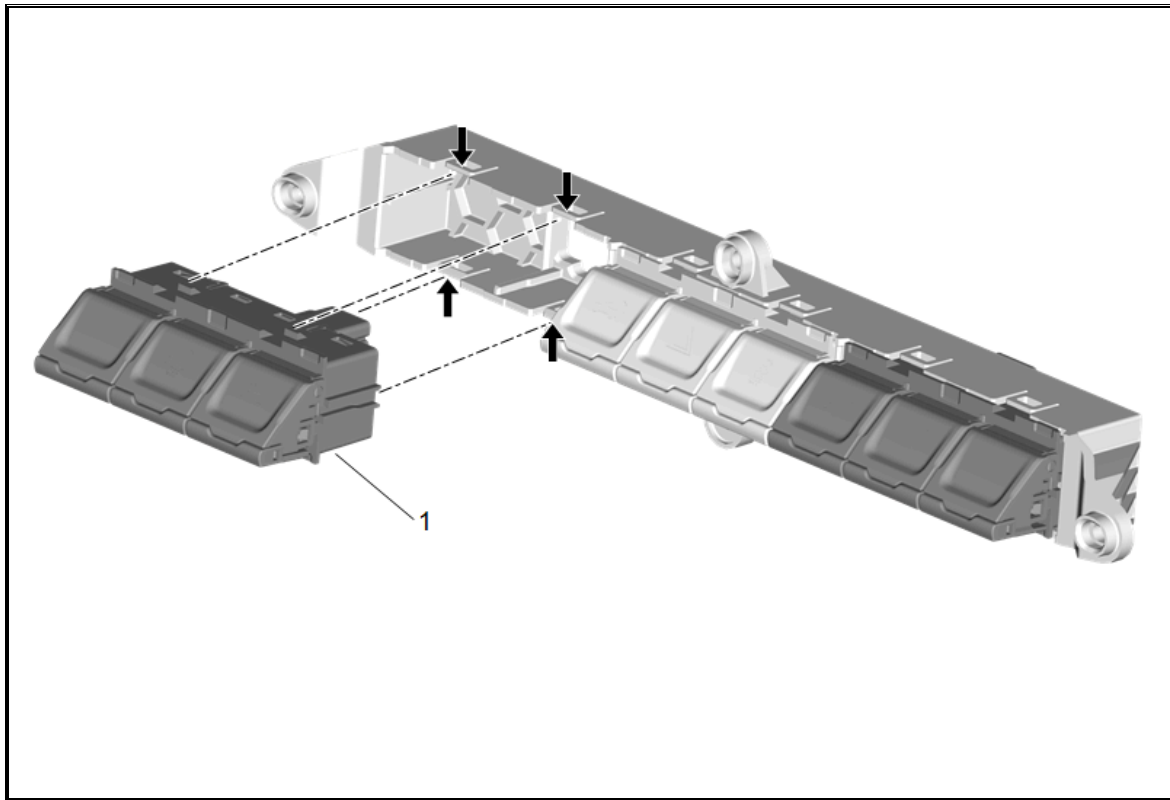
13. Hazard Warning Switch Housing Bolt (1) » Remove [2x]
14. Release the retaining tabs.
15. Hazard Warning Switch Housing (2) » Remove



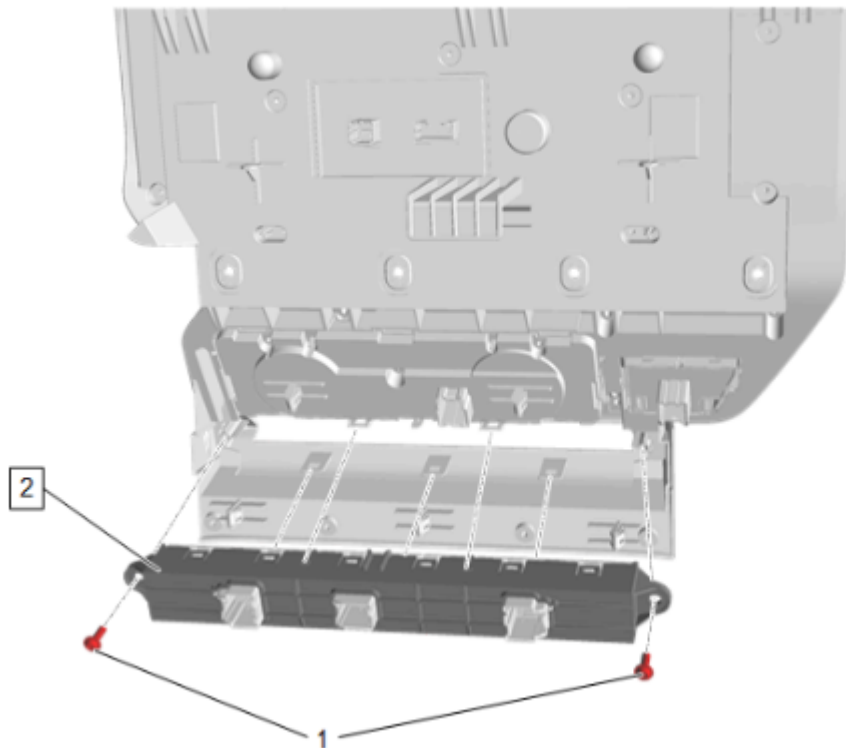
16. Release the retaining tabs.

17. Instrument Panel Center Accessory Function Switch (1) » Remove

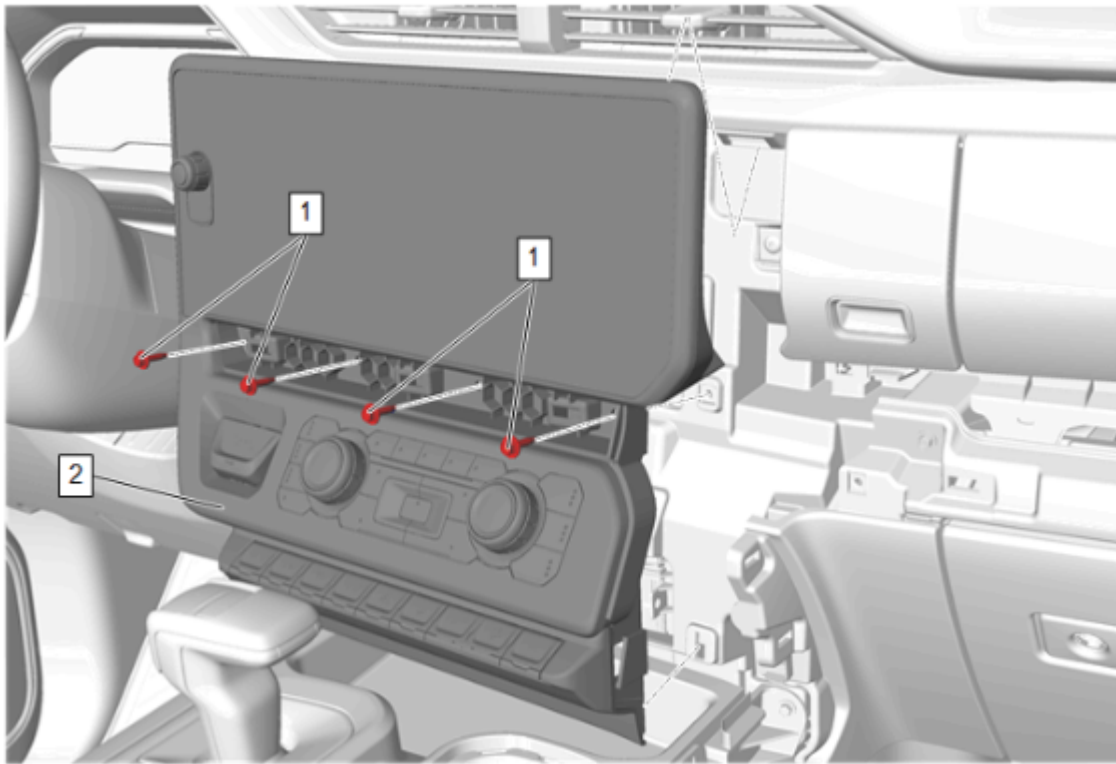
Installation Procedure



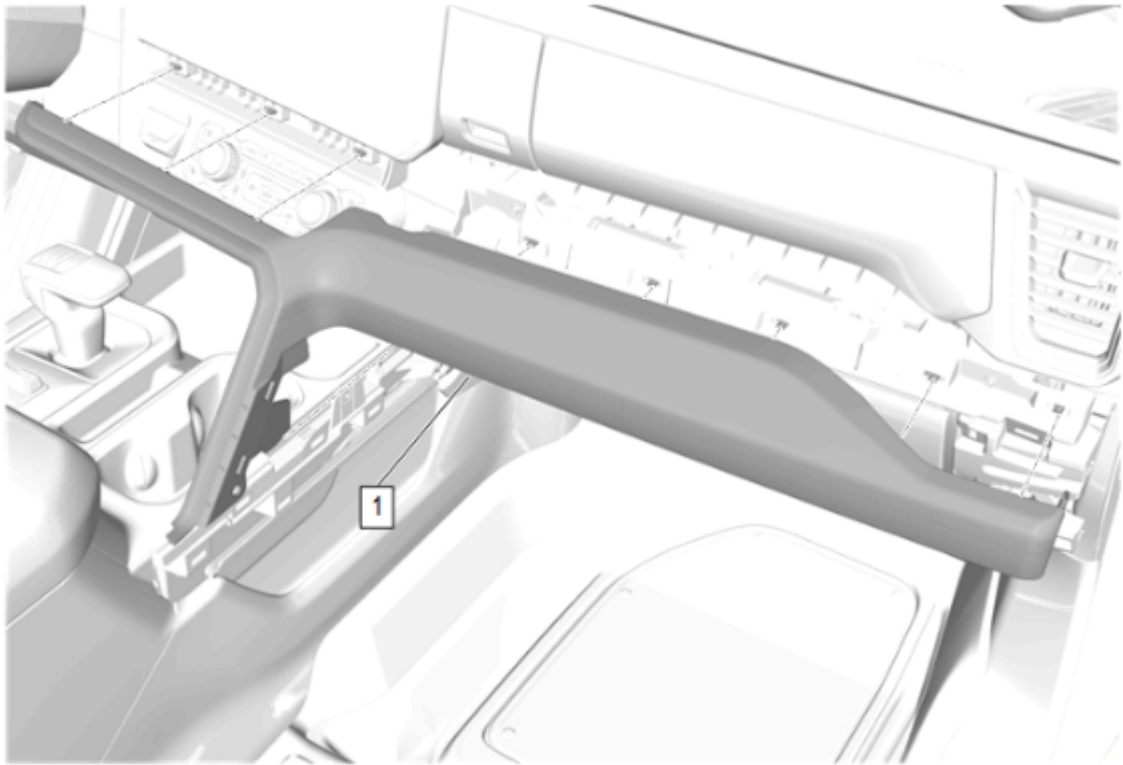
1. Instrument Panel Center Accessory Function Switch (1) » Install
2. Secure the retaining tabs.



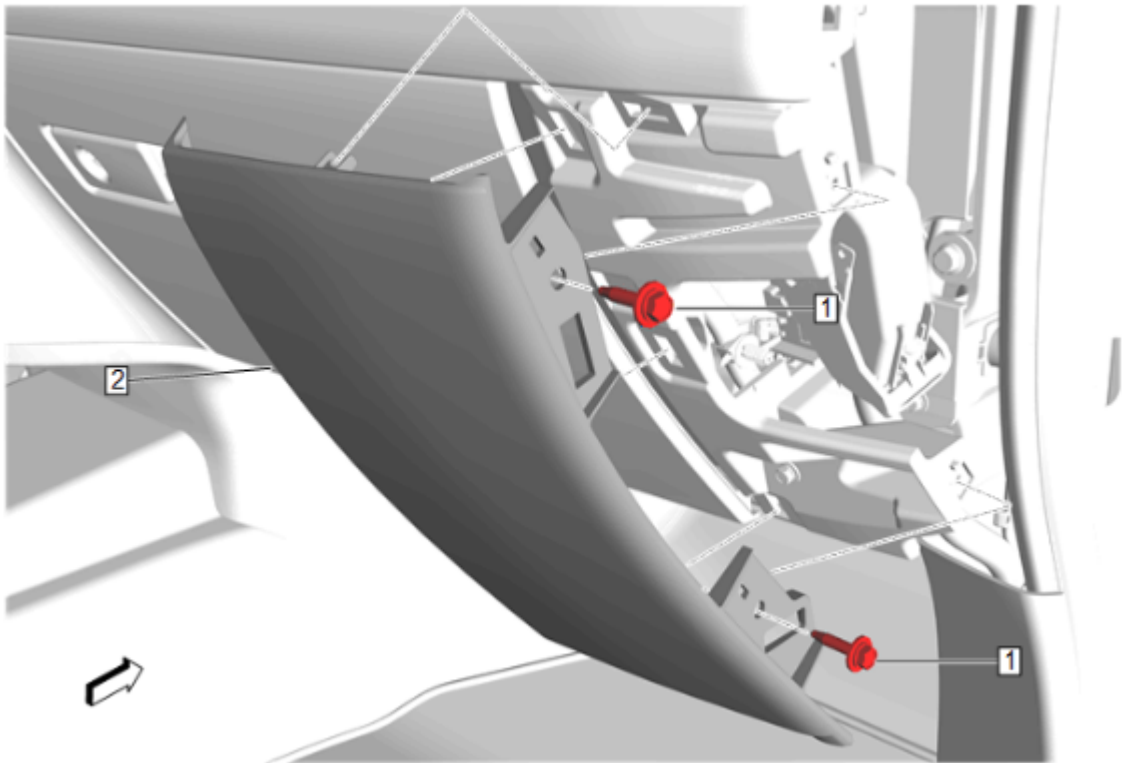
3. Hazard Warning Switch Housing (2) » Install
4. Secure the retaining tabs.
- Caution:** Refer to [Fastener Caution](#).
5. Hazard Warning Switch Housing Bolt (1) » Install and tighten [2x] — [Fastener Specifications](#)



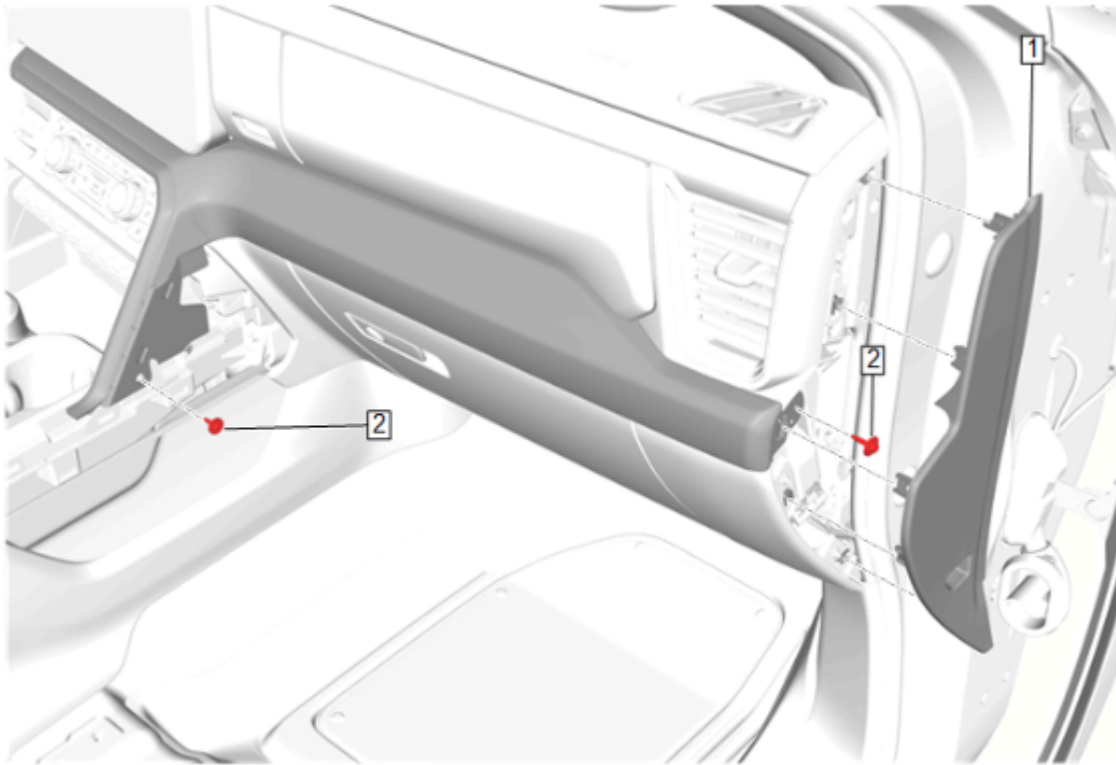
6. Connect the electrical connectors.
7. Radio Control (2) » Install
8. Radio Control Bolt (1) » Install and tighten [4x] — [Fastener Specifications](#)



9. Instrument Panel Trim Pad - Right Side (1) » Install

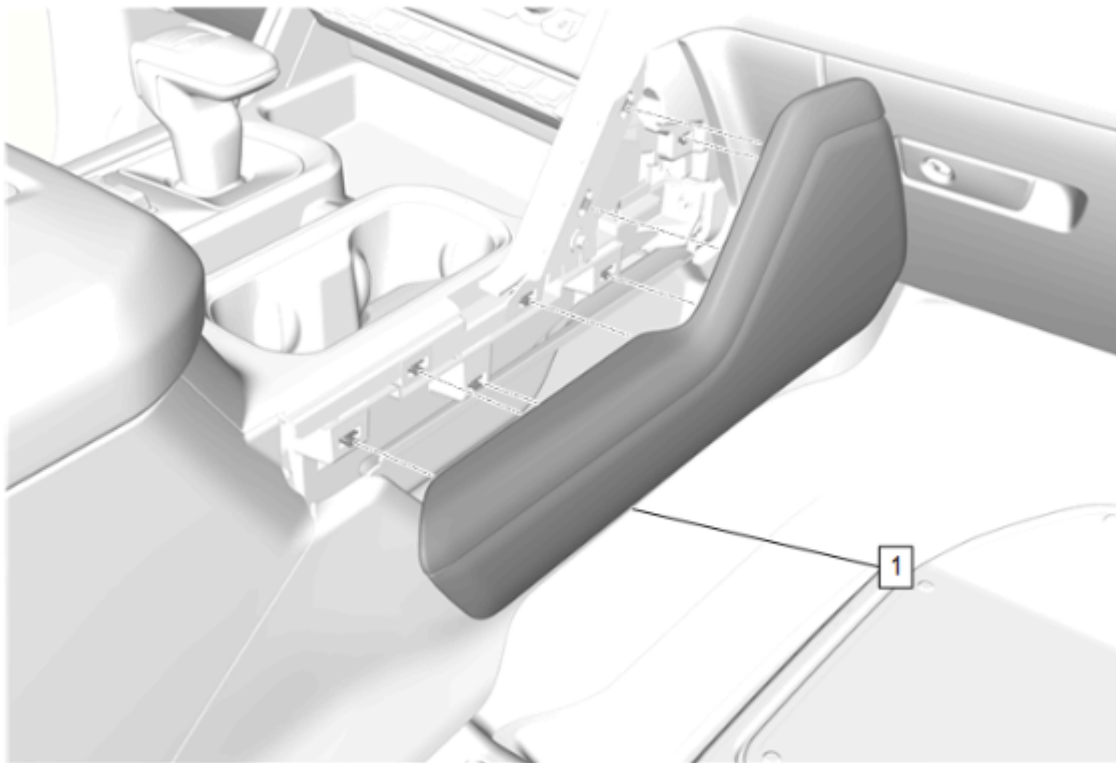


11. Instrument Panel Lower Trim Panel Outer Filler Bolt (1) » Install and tighten [2x] — [Fastener Specifications](#)



12. Instrument Panel Trim Pad Bolt (2) » Install and tighten [2x] — [Fastener Specifications](#)

13. Instrument Panel Fuse Block Access Hole Cover (1) » Install



14. Front Floor Console Lower Applique - Right Side (1) » Install